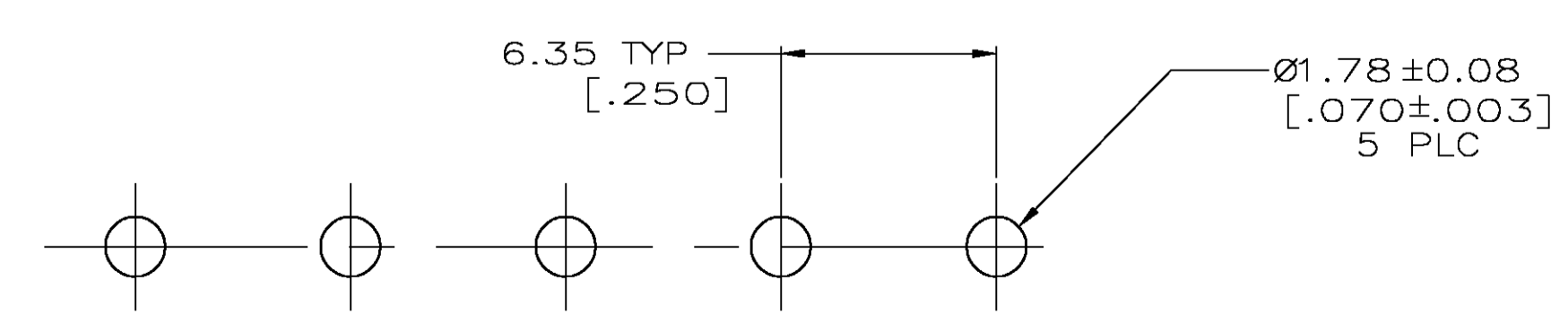
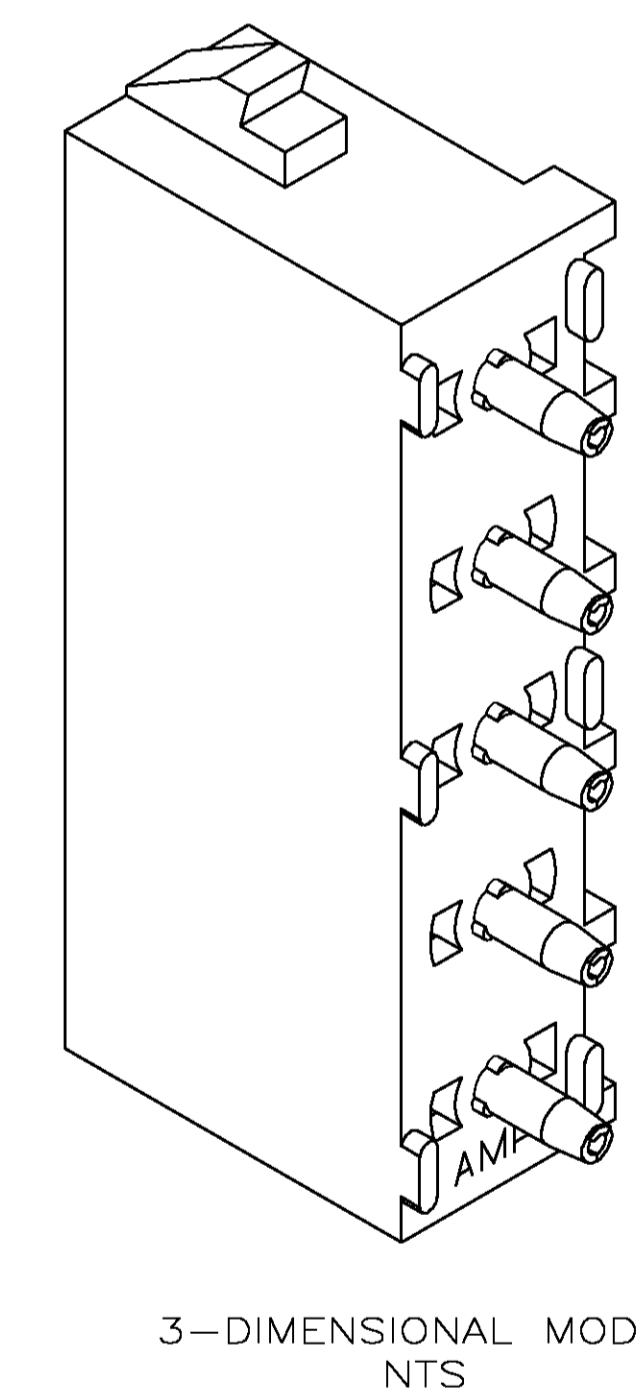
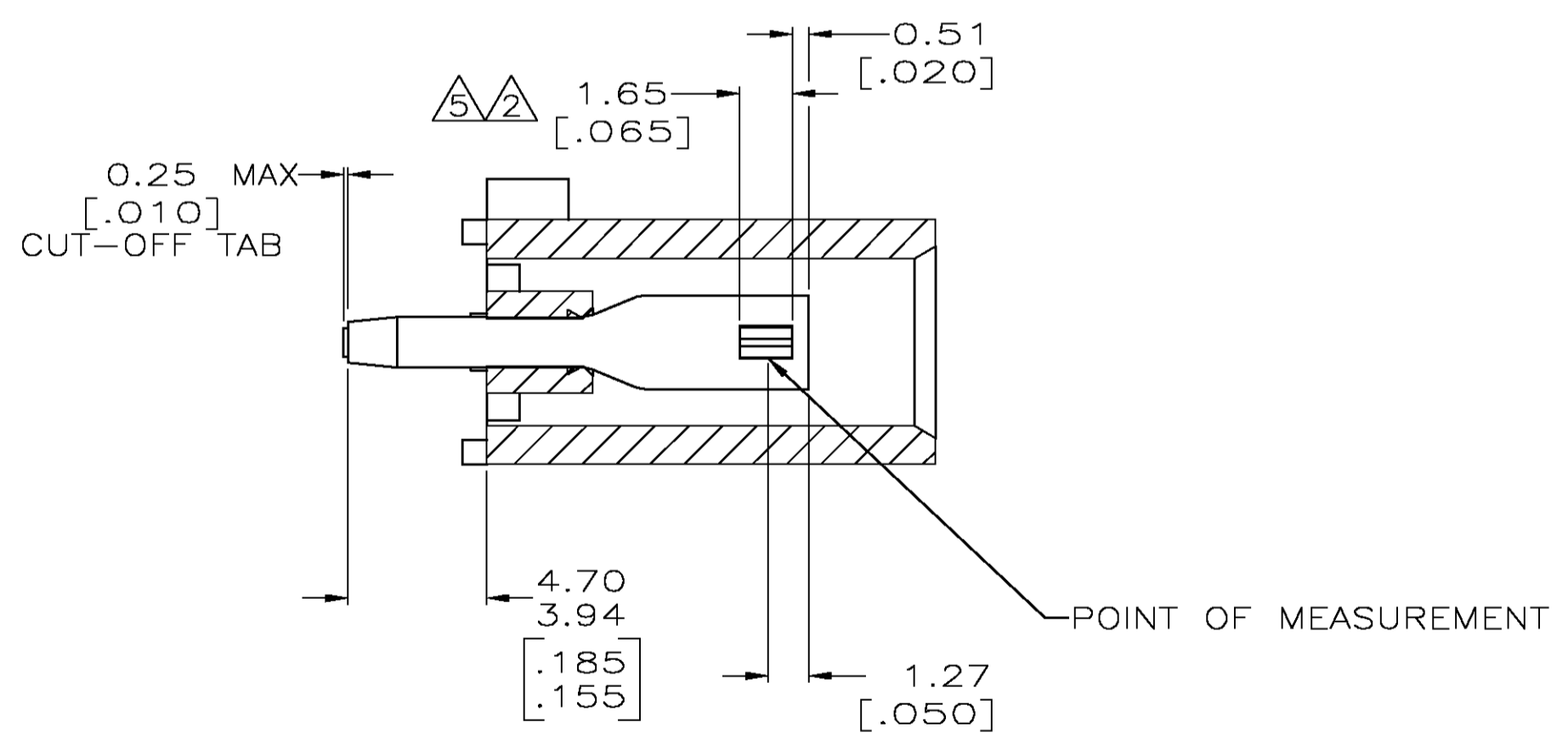


- PARTS COMPLY TO AMP SOLDERABILITY SPECIFICATION 109-11-3.
- CONTACT IS PLATED OVERALL WITH 0.00127 [.000050] NICKEL, THEN 0.00076 [.000030] GOLD OVER CONTACT LENGTH INDICATED AND MATTE TIN LEAD ON SOLDER TAIL END.
- CIRCUIT IDENTIFICATION CHARACTERS ARE ADJACENT TO THE INDICATED CAVITIES, BUT LOCATION AND ORIENTATION MAY DIFFER FROM PRINT.
- DIMENSIONS IN BRACKETS ARE IN INCHES.
- CONTACT IS PLATED OVERALL WITH 0.00127 [.000050] NICKEL, THEN 0.00076 [.000030] GOLD OVER CONTACT LENGTH INDICATED AND MATTE TIN ON SOLDER TAIL END.



RECOMMENDED MOUNTING HOLE PATTERN FOR 1.57 [.062] THICK P.C. BOARD

PHOSPHOR BRONZE, GOLD	NYLON,UL94V-0,WHITE	640901-3
PHOSPHOR BRONZE, PRE-TIN	NYLON,UL94V-0,RED	1-640901-2
PHOSPHOR BRONZE, GOLD	NYLON,UL94V-0,WHITE	640901-2
PHOSPHOR BRONZE, PRE-TIN	NYLON,UL94V-0,WHITE	640901-1
CONTACT MATERIAL AND FINISH	HOUSING MATERIAL	PART NUMBER



THIS DRAWING IS A CONTROLLED DOCUMENT.

DIMENSIONS: mm [INCHES]	TOLERANCES UNLESS OTHERWISE SPECIFIED:	0 PLC ± -	1 PLC ± -	2 PLC ± 0.13 [.005]	3 PLC ± -	4 PLC ± -	ANGLES ± 0.30°	FINISH SEE TABLE	APVD M. TRULL	DATE 10-05-98	NAME	SIZE A1	SCALE 5:1	SHEET 1 OF 1	REV N
MATERIAL SEE TABLE	FINISH SEE TABLE	WEIGHT -	APVD M. TRULL	DATE 10-05-98	NAME	SIZE A1	SCALE 5:1	SHEET 1 OF 1	REV N	Tyco Electronics Corporation Greensboro, NC 27409			SOCKET HEADER ASSEMBLY, 5 CIRCUIT UNIVERSAL MATE-N-LOK™		
CUSTOMER DRAWING		DRAWING NO. 00779		PART NO. 640901		RESTRICTED TO									